

## Ankersmid Needle Valves

PANAM 'PNV' series

## Ankersmid Block and Bleed Valves

PANAM 'PBB' series

### Application

PANAM PNV Series Needle Valves are specially designed and ruggedly manufactured for use in corrosive & hazardous environment. These valves are used in Process control, instrumentation and flow control application. Valves are precision machined, designer durability and maximum efficiency to provide high quality and low cost alternatives in fluid and gaseous control systems of different applications, to meet the exacting standards of our growing and demanding customers.

PANAM Series valves are available in High Grade Stainless Steel, Carbon steel, Brass and Monnel materials in variety of end connections includes Male / Female threaded NPT, BSP, BSPT, ISO, DIN and JIS tapered pipe ends.

Valves can be supplied to meet current revision of NACE MR01-75 (Sour Gas Service).

All valves are 100% factory-tested and complete traceability is available upon request.

### Features

Non-rotating vee/ball tip design which forms a bearing joint with the stem eliminates rotation between plug & seat at closure. This prevents scoring and galling up the valve seat and ensures long life in repetitive shut off service.

Safety Bonnet Lock prevents accidental disassembly.

Stem thread rolled & hard plated-provides additional strength & maximum service life.

Mirror finish stem, burnished to a 16RMS extends packing life and smooth stem operation.

Adjustable packing below stem threads prevents stem lubrication washout and isolate threads from process contamination.

Safety back seating provides secondary stem seal in full open position, prevents stem blow out.

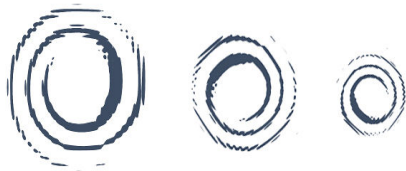
Stainless Steel Handle for proper actuation.

Body to Bonnet seal - metal to metal constant compression, isolate bonnet threads from system fluids and eliminates possible tensile.

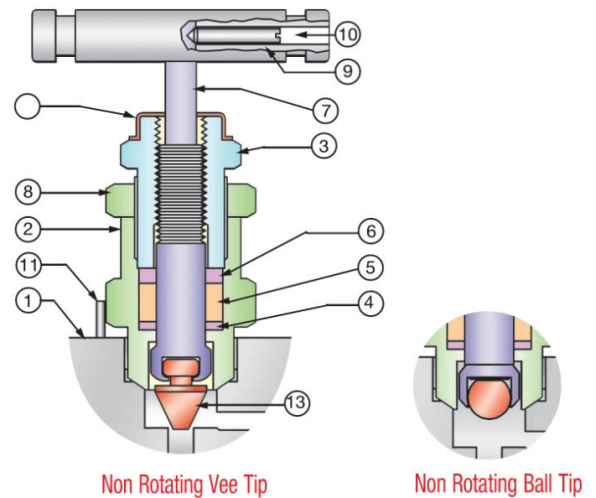
Dust cap prevents contaminants and lubricant washout of bonnet assembly.



- **Non rotating vee / ball tip design**
- **Safety lock**
- **Stem thread rolled & hard-plated**
- **Mirror finish stem, burnished to a 16RMS**
- **Adjustable packing below stem threads**
- **Safety back seating**
- **Stainless steel handle**
- **Dust cap**



Sr No.	Part	Qty.	Material
1	Body	1	A479-316 / A-105
2	Gland Body	1	A479-316 / A-105
3	Gland Retainer	1	A479-316 / A-105
4	Washer	1	A479-316 / A-105
5	Packing	1	PTFE / Graphoil
6	Packing Washer	1	A276-316 / A-105
7	Spindle	1	A276-316
8	Lock Nut	1	A479-316 / A-105
9	Grub Screw	1	Steel
10	Handle	1	A276-304 / A-105
11	Lock Pin	1	A479-316 / A-105
12	Dust Cap	1	Plastic LD.
13	Vee Tip / Ball Tip	1	A 564-630



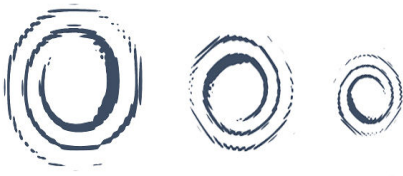
Valve Size	Orifice	Cv	Max.Working Pressure	Temp	Pressure @ Max. Temp.
1/4"	3.5mm	0.31	6000 psi ( 41300 kpa)	PTFE	PTFE
3/8"				-20 <sup>o</sup> to 250 <sup>o</sup> F -29 <sup>o</sup> to 121 <sup>o</sup> C	4000 psi @ 260 <sup>o</sup> C
1/2"	4.8mm	0.52		GRAPHOIL	GRAPHOIL
3/4"	6.4mm	1.40		-29 <sup>o</sup> to 600 <sup>o</sup> F -29 <sup>o</sup> to 315 <sup>o</sup> C	1500 psi @ 538 <sup>o</sup> C

## Testing

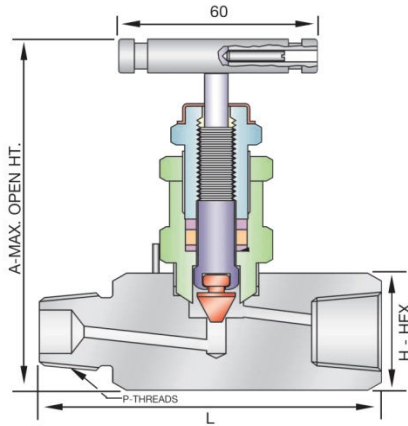
Each valve is hydrostatically tested in accordance with MSS-SP-99. This procedure includes testing of the body cavity. Hydrostatic test is performed with pure water or other liquids of similar or lower viscosity at 1.5 times and seat leakage test at 1.1 times of the maximum working pressure.

Each valve is also tested with Nitrogen Gas at 1000psi for seat, seal and shell leakage.

Other tests like Vibration, Temperature, Helium are available upon request.



## Needle Valve MF

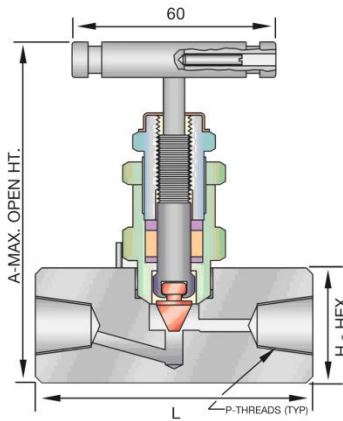


Dimensions:-

Part No.	P-NPTF	L	H-HEX	A-OP	WT.*
PNV-H-S-4-MF	1/4"	60	25	92	300 gms
PNV-H-S-6-MF	3/8"	60	25	92	300 gms
PNV-H-S-8-MF	1/2"	80	32	98	600 gms
PNV-H-S-12-MF	3/4"	80	36	114	800 gms



## Needle Valve FF

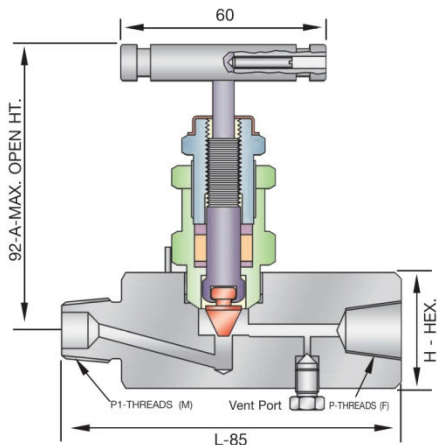


Dimensions:-

Part No.	P-NPTF	L	H-HEX	A-OP	WT.*
PNV-H-S-4-FF	1/4"	53	25	92	300 gms
PNV-H-S-6-FF	3/8"	53	25	92	300 gms
PNV-H-S-8-FF	1/2"	75	32	98	600 gms
PNV-H-S-12-FF	3/4"	75	36	114	800 gms

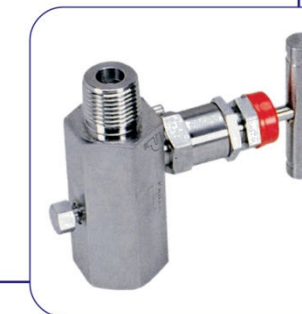


## Block & Bleed Valve MF



Dimensions:-

Part No.	P-NPTF	P1-NPTM	H-HEX	WT.*
PBB-H-S-8-MF	1/2	1/2	32	650 gms
PBB-H-S-12-MF	1/2	3/4	32	750 gms



\* Approximate